

The best way to close the door

The strength of steel and clockwork precision

The key operates all the locking mechanisms by means of a gear drive, greatly reducing the effort required to compress the seals and compensates for slightly warped sashes.

For the production of the main gears AGB adopts a new exclusive technique: instead of the traditional zamak or sintered steel, the Sicurtop gears are made of cold-pressed steel and are therefore much stronger.

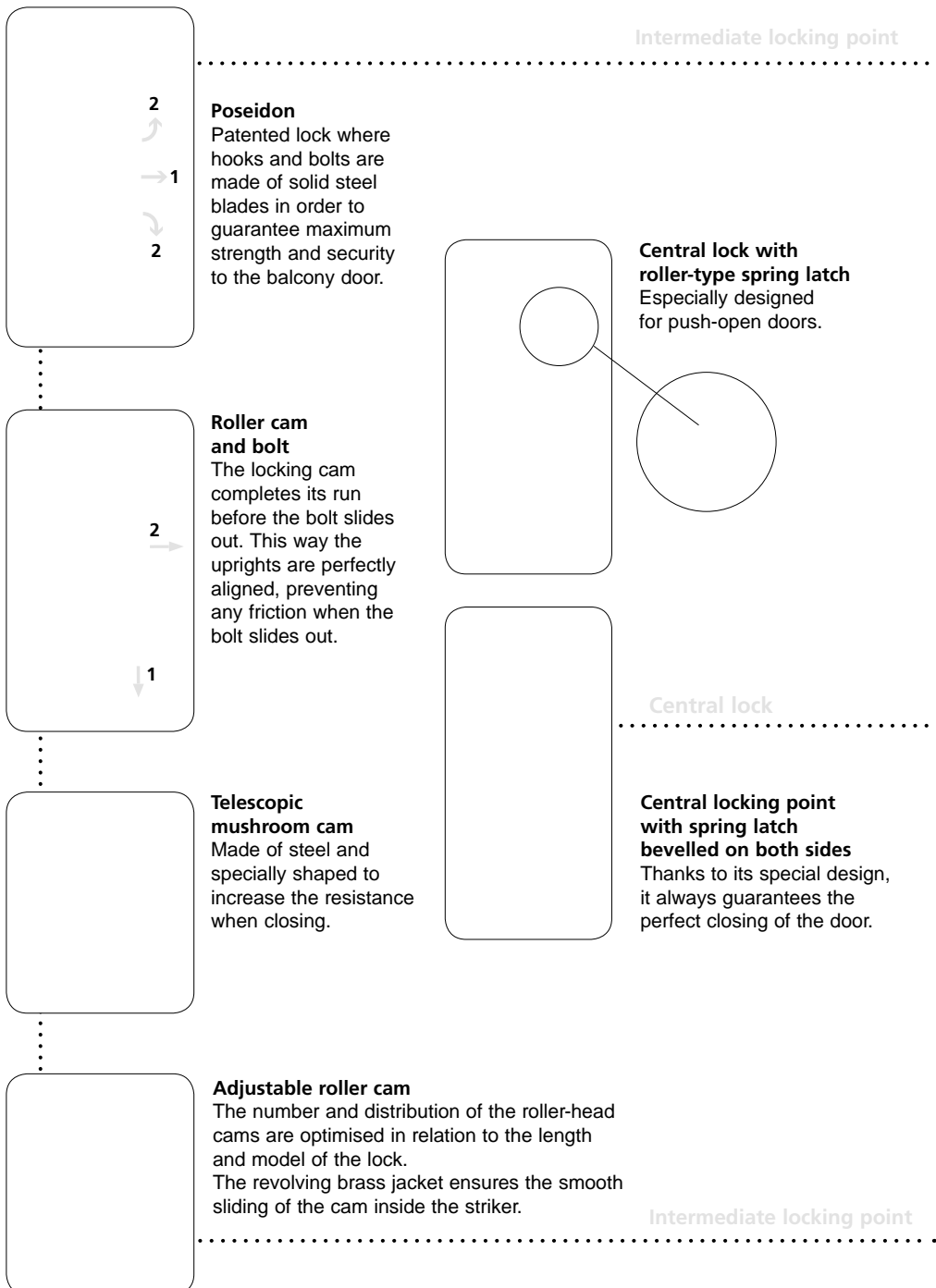
This construction system and the accurate design of the kinetic motions guarantee the perfect smoothness of operation and the lifetime performance of the lock.

Technical characteristics

- Complete closure with two turns, thanks to a gear drive mechanism made of cold-pressed steel. The sturdy and resistant gear teeth ensure precision and durability. No maintenance is required. The movement of the device is irreversible: once they slide out, the bolts cannot be pushed back in.
- Sintered steel spring latch, bevelled and convex on both sides to reduce friction at closing.
- Bolts made of pressed steel plates, 20 mm throw (for backsets above 40 mm).
- Cylinder-fastening screw supplied with the lock.
- 8 mm brass follower, with sturdy counter-spring to support even the heaviest handles.
- Total locking cam stroke: 20 mm, downstroke when closing.
- European profile cylinder hole. Designed to house cylinders with anti-pull cam.
- Holes for fitting handle plate, escutcheon and rose with through screws.
- Protection bushings on the case's through holes.
- Only 18 mm distance between cylinder axis and outer edge of case, for improved efficiency on PVC and wood/aluminium profiles.
- Silver finish.
- 1900 to 2400 mm lengths.
- 85 and 92 mm lock centres
- 35 to 80 mm backsets.
- 16 or 20 mm steel forend.



Details that make the difference



Hardware for every solution

Adjustable hinges

We recommend the use of adjustable hinges on main entrance doors furnished with Sicurtop locks. By means of easy adjustments on three axis, the AGB adjustable hinges guarantee the ideal position of the door, the perfect tightness of the seals and the correction of any structural settling. Our technicians will be glad to show you the most convenient solution among the large number of models available.

ZENIT

Adjustable hinges for wood
with 4 threaded pins

TOP

Adjustable hinges for wood
with 2 threaded pins

3D

Adjustable hinges for wood
with 2 threaded pins

COMPOSIT

Adjustable hinges for
PVC and aluminium/wood

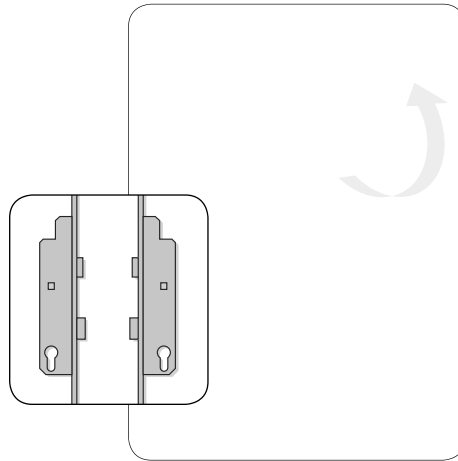
SCUDO DCK

SCUDO 9000

SCUDO 5000

MOD. 600

CARTESIO
Adjustable hinges for PVC



The spring latch is easy to reverse using a common screwdriver.

Cylinders

Sicurtop is designed to house a standard European profile cylinder, for example the AGB SCUDO series or U-Tech security cylinders. The cylinder also controls the spring latch, so that a fixed handle is normally used on the outside.

U-TECH

TENAX ROUND and OVAL
Protective rim guard for cylinders

A complete range of strikers

A large number of striker models to satisfy all your needs.
The solution with steel strikers and corresponding adapters also allows for the application of Sicurtop on most common PVC profiles.

Electric strikers

- ① long wing
- ② half wing

Adjustable strikers latch + bolt

- ① for rebated doors
- ② for flush doors

Cam+bolt strikers

Poseidon strikers

- adjustable for rebated doors
- adjustable for flush doors
- fixed for flush doors

Telescopic mushroom cam strikers

Roller cam strikers

Steel U30 Strikers for PVC profiles

Strikers for push rods fixed and adjustable

NB. The whole range of strikers is reported in the price list in force.

One-piece strikers and bolts

❶ One-piece bolts for Poseidon

U18 (a), U26 (b) for double sash

❷ One-piece adjustable strikers for Poseidon

U18 (a), U30 (b), U26 (c) for single sash.

Upper and lower lever bolts with adjustable shoot bolt

18 mm forend with frontal lever and adjustable shoot bolt
Available in 210, 300, 400 and 600 mm length.

Upper and lower lever bolts with cam striker and adjustable shoot bolt with cam striker included

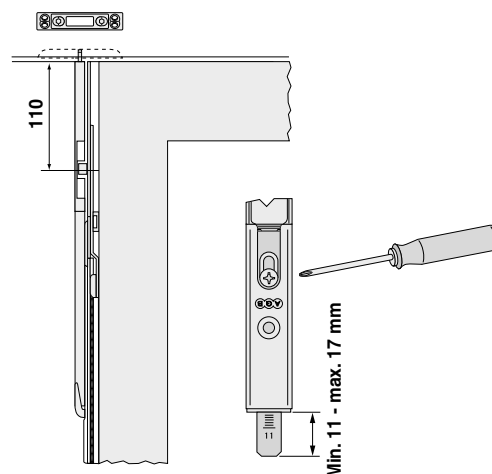
18 mm forend with frontal lever and adjustable shoot bolt.
Available in 360 and 550 mm length.

Lower lever bolts with Poseidon striker and adjustable shoot bolt with Poseidon striker included

18 mm forend with frontal lever and adjustable shoot bolt,
available in 390 length.

Upper and lower round lever bolts

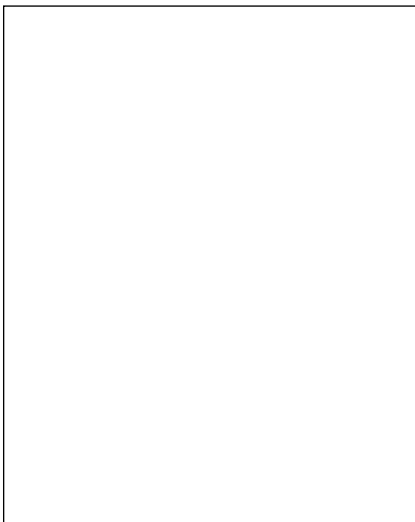
18 mm forend with side lever. Available in 180, 200, 300 and
400 mm length.



- ❶ Extension with Poseidon box
- ❷ Extension without Poseidon box
- ❸ Extension with bolt + roller cam
- ❹ Extension with mushroom cam
- ❺ Extension with roller cam
- ❻ Extension without roller cam

- ❶ Lower roundbolt
- ❷ Upper roundbolt with reverse gear
- ❸ Upper terminal with mushroom cam
- ❹ Upper terminal with roller cam
- ❺ Lower terminal without bolt

The ends of the Sicurtop rods can easily be trimmed to suit the height of the door.



AGB Service

SICURTOP is supplied with a complete set of jigs which make assembly of the locks and strikes easier and more precise.



HARDWARE SYSTEMS FOR WINDOWS AND DOORS

Alban Giacomo SpA
Via A. De Gasperi 75
36060 Romano d'Ezzelino (VI) Italy
Tel. +39 0424 832 832
www.agb.it - info@agb.it