



U-TECH

REINFORCED BODY SECURITY CYLINDER



HARDWARE SYSTEMS FOR WINDOWS AND DOORS

A dark, moody photograph of various tools including a hammer, a wrench, and a screwdriver, with the text "U-Tech, don't even try..." overlaid in the center.

U-Tech, don't even try...



U-Tech wins, strongly!

Friction joint and bit to open the door from the outside even when the key is inserted on the inside.

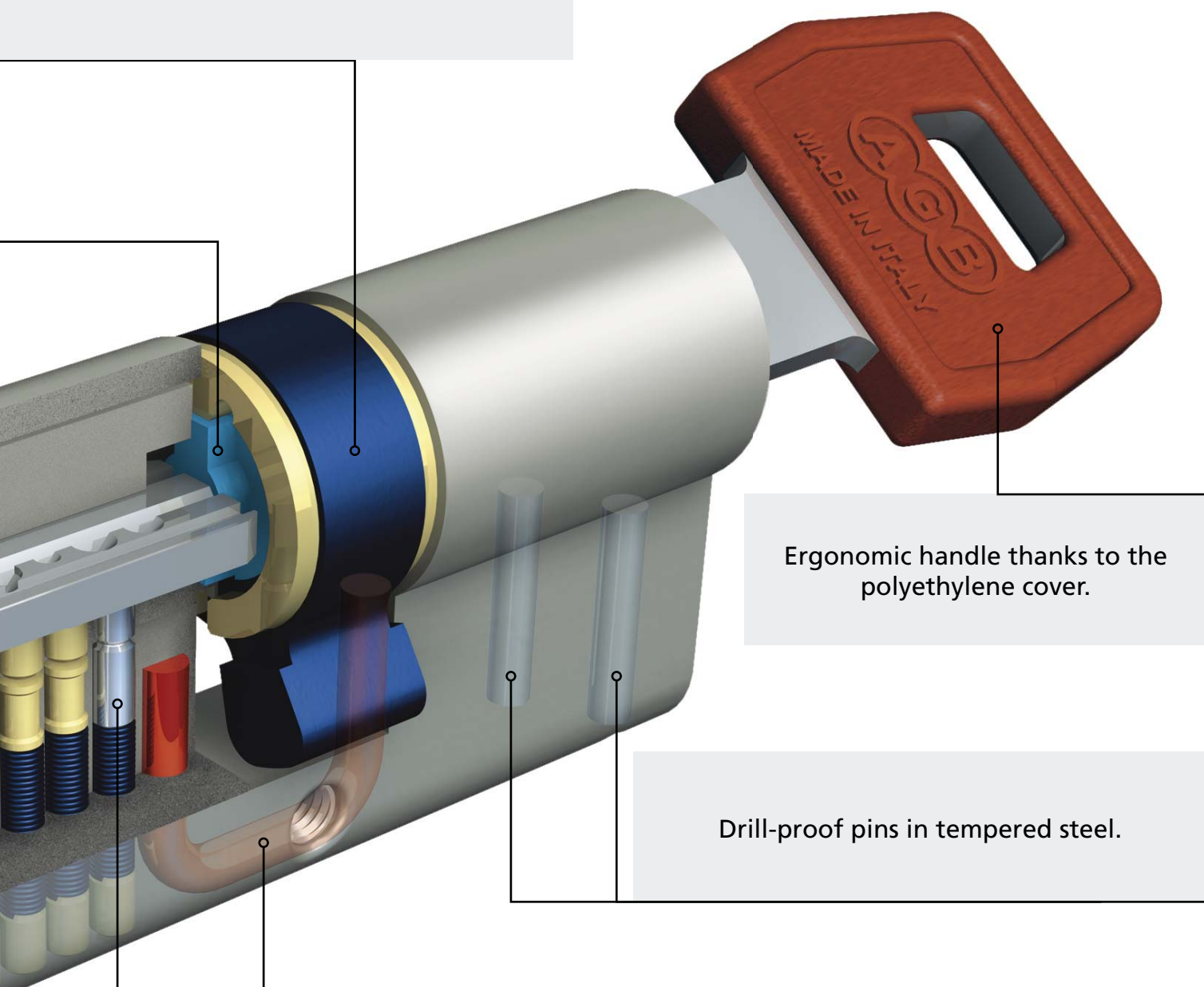
Euro profile security cylinder with flat reversible key, compatible with tear-proof protection rim guard.



Drill-proof pins in tempered steel.

Drill-proof pistons and counter-pistons in tempered steel.

Tear-proof projecting bit.



Ergonomic handle thanks to the polyethylene cover.

Drill-proof pins in tempered steel.

Stainless steel reinforcement bar. It obstructs the extraction of the cylinder in case of attempted burglary.

U-Tech wins in intelligence.



U-Tech is available in the following versions:

- key- key double function
- knob-key
- half-key



U-Tech pack contains the five keys and the card for duplication in a specially provided sealed bag.

The duplication card has a double code:

- Key code, the one stamped on the key neck.
- Duplication code, which guarantees quality Duplication at AGB's partners.

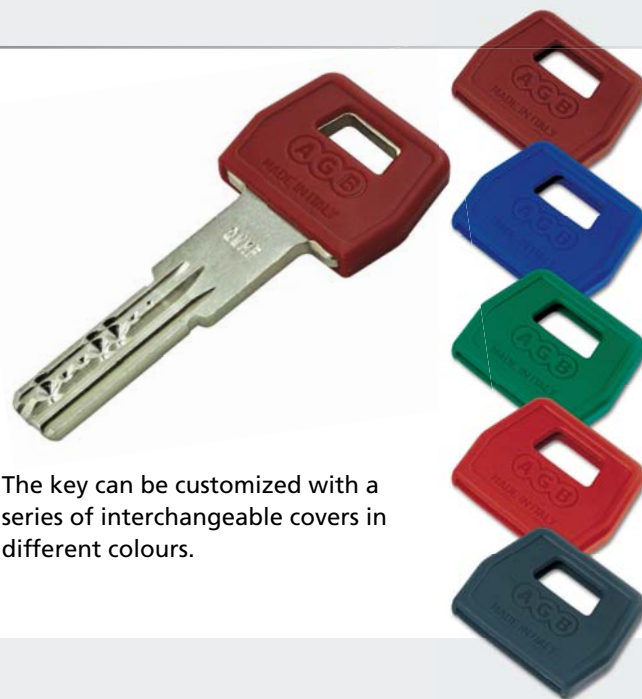
Building Site "PASS" Key (on demand)



The building site key is deactivated automatically the first time one of the owners' key is used.



U-Tech is compatible with AGB's protection burglar-proof devices TENAX.

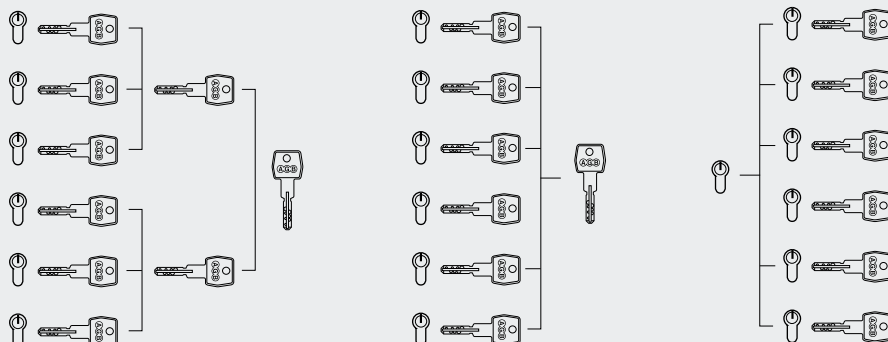


The key can be customized with a series of interchangeable covers in different colours.

System coding

U-Tech can be configured to obtain special coding systems, such as:

- **GMK general master key system**
- **MK master key system**
- **CC central cylinder system**





HARDWARE SYSTEMS FOR WINDOWS AND DOORS

Alban Giacomo SpA
Via A. De Gasperi 75
36060 Romano d'Ezzelino (VI) Italy
Tel. +39 0424 832 832
www.agb.it - info@agb.it