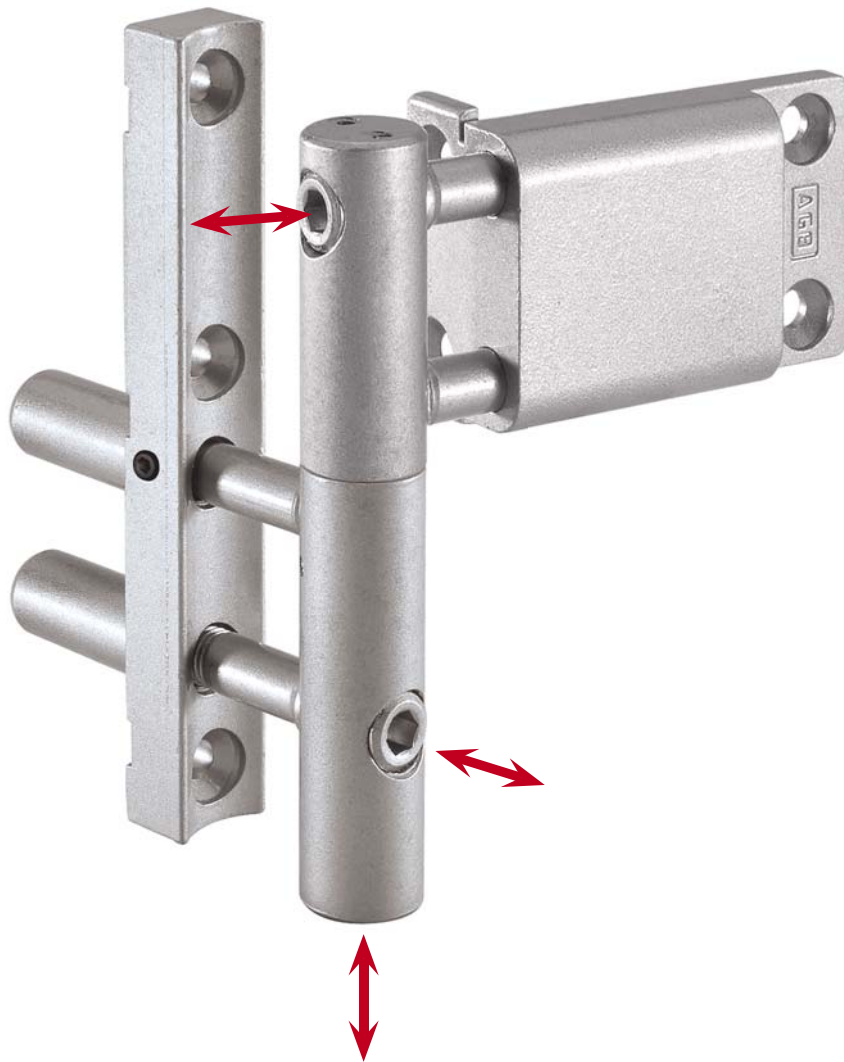


Cartesio

Adjustable steel hinge for PVC profiles



- Hinge body \varnothing 16 mm made of pressed steel
- Pivot with revolving ball ensuring smooth movement
- Adjustable on 3 axis
- Great loading capacity thanks to 12 mm pins



CARTESIO - Adjustable steel hinge for PVC profiles

Maximum stability ensured by the 3 fixing screws.

Pressed stainless steel pivot. Ensures reliable, accurate rust-free coupling.

Fastening dowel to adjust and take up slack.

Sturdy 12 mm diameter supporting pins.

Pressed rolled steel M8x1 adjusting pin.

Hardened steel revolving ball, ensuring smooth movement between male and female and long hinge life.

6 mm side adjustment.

Sturdy stable coupling guaranteed by the 3 centering pins and 4 fixing screws. Can be fitted on any rebated door profile.

Reamed hinge hole to minimize coupling play.

5 mm door pressure adjustment.

6 mm height adjustment by means of allen key. The movement is produced by 2 hardened steel pins and a bronze bush, ensuring easy adjustment of the heaviest doors.



ABS covers available.
Jigs that can be adapted to all profiles are available for quick accurate hinge fitting.

