

MAC/STING

DEA[®]
move as you like

Electromechanical automation for swing gates



Swing



Residential use



Safe and user friendly technologies

MAC/STING are electromechanical automations for **swing gates** and are intended for **residential use**. They are available in **230V** and **24V** versions.

MAC/STING are:

- **discrete**: elegant and sober design, is perfect for narrow spaces
- **robust and reliable**: all materials used are of a very high quality
- **silent**: thanks to the internal precision mechanics
- **safe and practical**: in case of power failure, the motor is equipped with a release key

The use of the **DE@NET** technology, guarantees **maximum safety** and **compliance to European standards** in the field of impact forces also in the **230V** version, thanks to presence of the **encoder**.



STING



MAC



in compliance with
EN12453 and EN12445
standards in the field of
impact forces



3 years warranty on
motors and control
boards



(STING)

Motor case in painted aluminium



(STING)

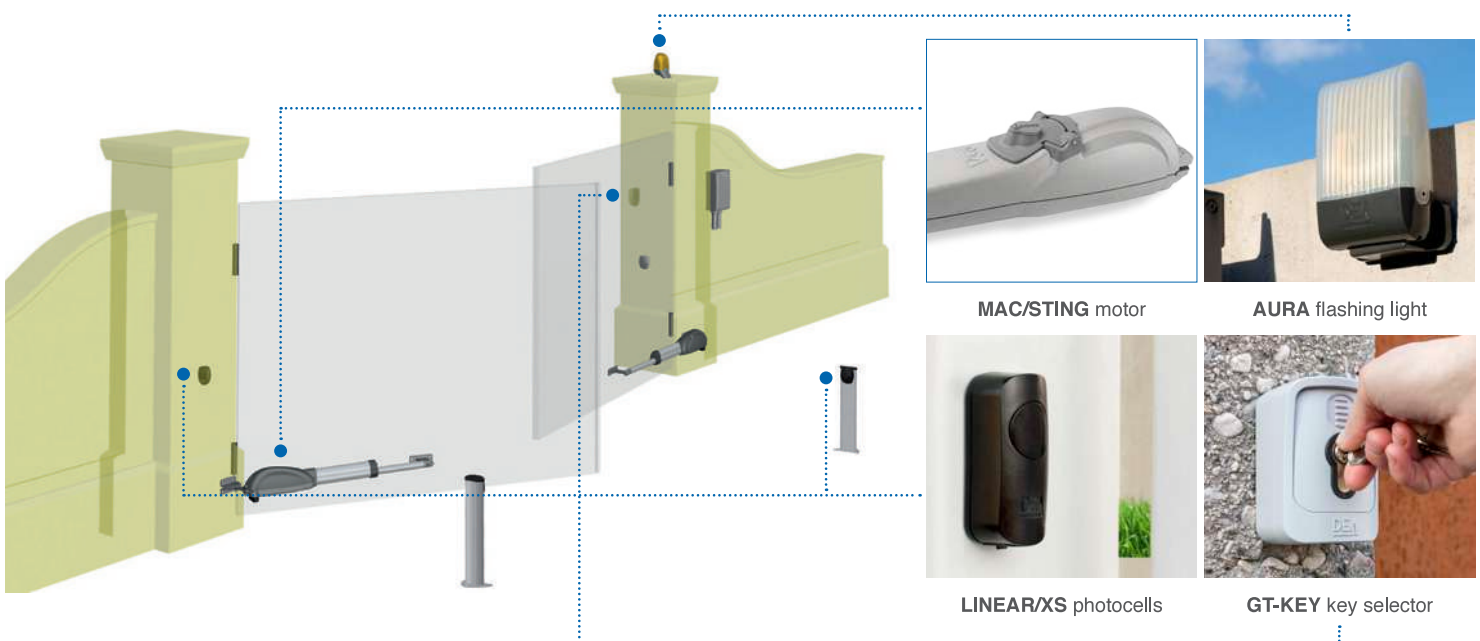
Emergency unlocking device
with personalized key



(MAC)

Internal mechanics in steel with ball bearings

Example of typical installation



MAC/STING motor



AURA flashing light



LINEAR/XS photocells



GT-KEY key selector

Suggested accessories



AURA



LINEAR/XS



GT2M - GT4M



DIGIRAD



PILLY

> learn more on deasystem.com



DEAuser

DEAuser is the app dedicated to private user which enables checks on the installation through smartphone (nearby the automation).

Did you forget either the code of the keypad or the key selector?
No problem! Your smartphone becomes the tool to open all your doors!



More **practicality**:
your smartphone
opens all doors!

> Opening without code or key
(Nearby the automation)



NET-NODE



(STING)

The **DEAuser** app is usable thanks to the **NET-NODE** wireless device put either inside the motor or on the control panel (depending on the automation model). This means:

- **NO DEVICE TO BE ADDED OUTSIDE YOUR HOUSE:**
there is no need to carry out works of masonry at the entrance, no holes and no wiring
- **SAFETY AND PROTECTION AGAINST VANDALISM:**
unlike of the wired devices, with NET-NODE there is no possibility to be tampered