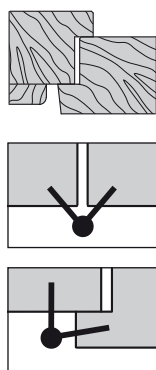


Mod. 118



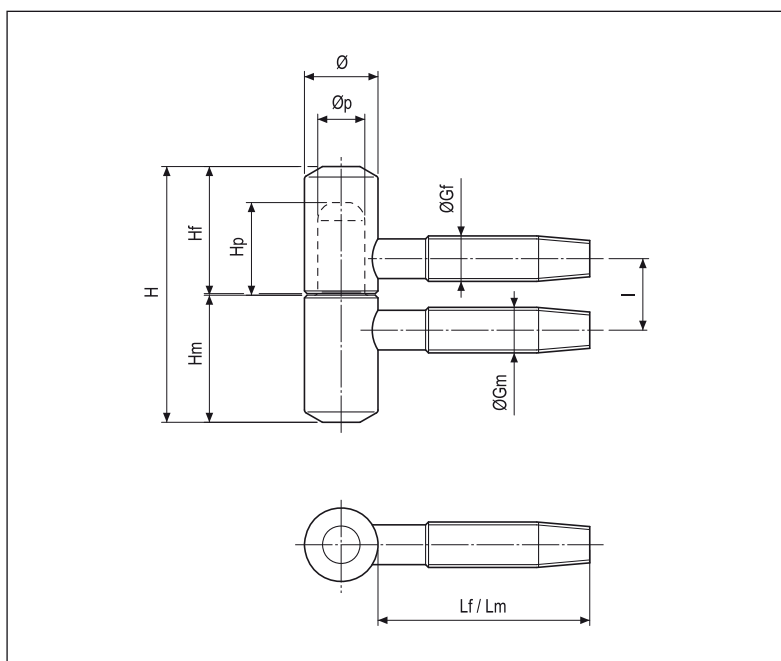
TOOLS FOR THE INSTALLATION (see the "JIGS" chapter)

Installation on the rebated frame

- Guide tooling box article code E00112.XX.01
- Guide tooling kit article code E00144.XX.01
- Single jig article code E00139.XX.01
- Jig rod for windows article code E00136.00.01/02 (r.h./l.h.)
- Jig rod for doors article code E00136.00.05/06 (r.h./l.h.)

Installation on the flush frame

- Guide tooling box article code E00115.XX.01
- Guide tooling kit article code E00138.XX.01
- Single jig article code E00133.XX.01
- Jig rod for windows article code E00136.00.03/04 (r.h./l.h.)
- Jig rod for doors article code E00136.00.07/08 (r.h./l.h.)



Hinges measures




Dimension	Diameter (Ø)		
	13	14	16
H	44,5	48,5	53,5
I	12,5	13,5	14,5
Hm	22	24	26,5
Hf	22	24	26,5
Øp	8,4	8,9	10,4
Hp	16,1	17,5	18,6
ØGm	7,8	8,3	8,8
Lm	36	40	46
ØGf	7,8	8,3	8,8
Lf	36	40	46

Order specifications

Material	Article
STEEL	E00118.13.XX
	E00118.14.XX
	E00118.16.XX

NB. Refer to the price list in force to check the availability of the finishes.

Available covers

Mod. Standard 	BRASS: Art. E00122 for ø13-14-16 mm
	ABS: Art. E00123 for ø13-14 mm
Mod. Rounded 	ABS: Art. E00137 for ø13-14 mm
	ALUMINIUM: Art. E21000 for ø13-14 mm
Baroque style 	BRASS: Art. E00134 for ø13-14 mm

NB. For the dimensions, finish and all the codes, see the "Covers" chapter.