

Model 701 round/square ends with key lock, 22 mm forend



Description

Embedded lock with return claw hook, striker included. Made entirely of steel or with brass forend and striker. 22 mm forend with round or square ends.

Six 30 to 60 mm backsets. Patent type key with single differ.

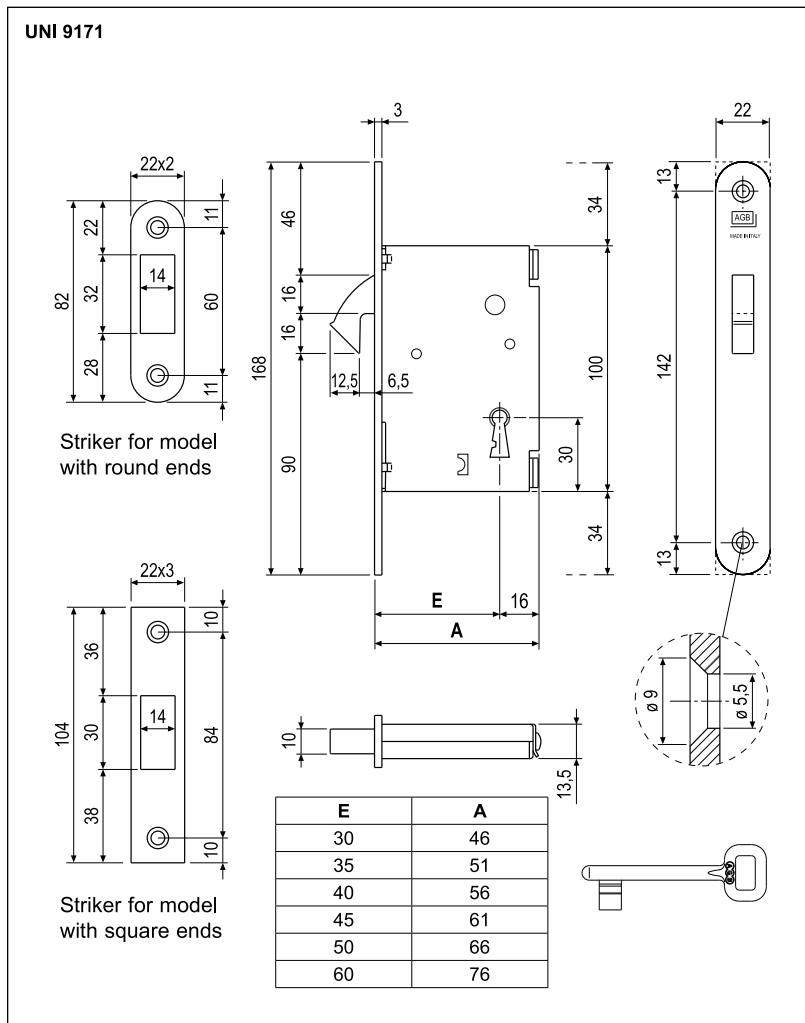
Application

Lock for interior sliding or folding timber doors. Can be combined with Scivola kits "G" and "H".


Mounting

Prepare cutout and mill the panel according to the dimensions shown in the diagram. Secure the lock and striker with four 4x25 mm screws.


Note. Each box contains a lock, striker and key. Upon request, the set can be supplied without striker (modified version 503).



Order Specifications

Material	SALES CODE			
	Ref.	Backset	Finish code	
STEEL	B00701	30-35-40-45-50-60	XX	1

Order Specifications

Material	SALES CODE			
	Ref.	Backset	Finish code	
STEEL	B00704	30-35-40-45-50-60	XX	1

Note. Refer to the price list in force to check the availability of the finishes.

