

UNICA basic kit - double sash



Description

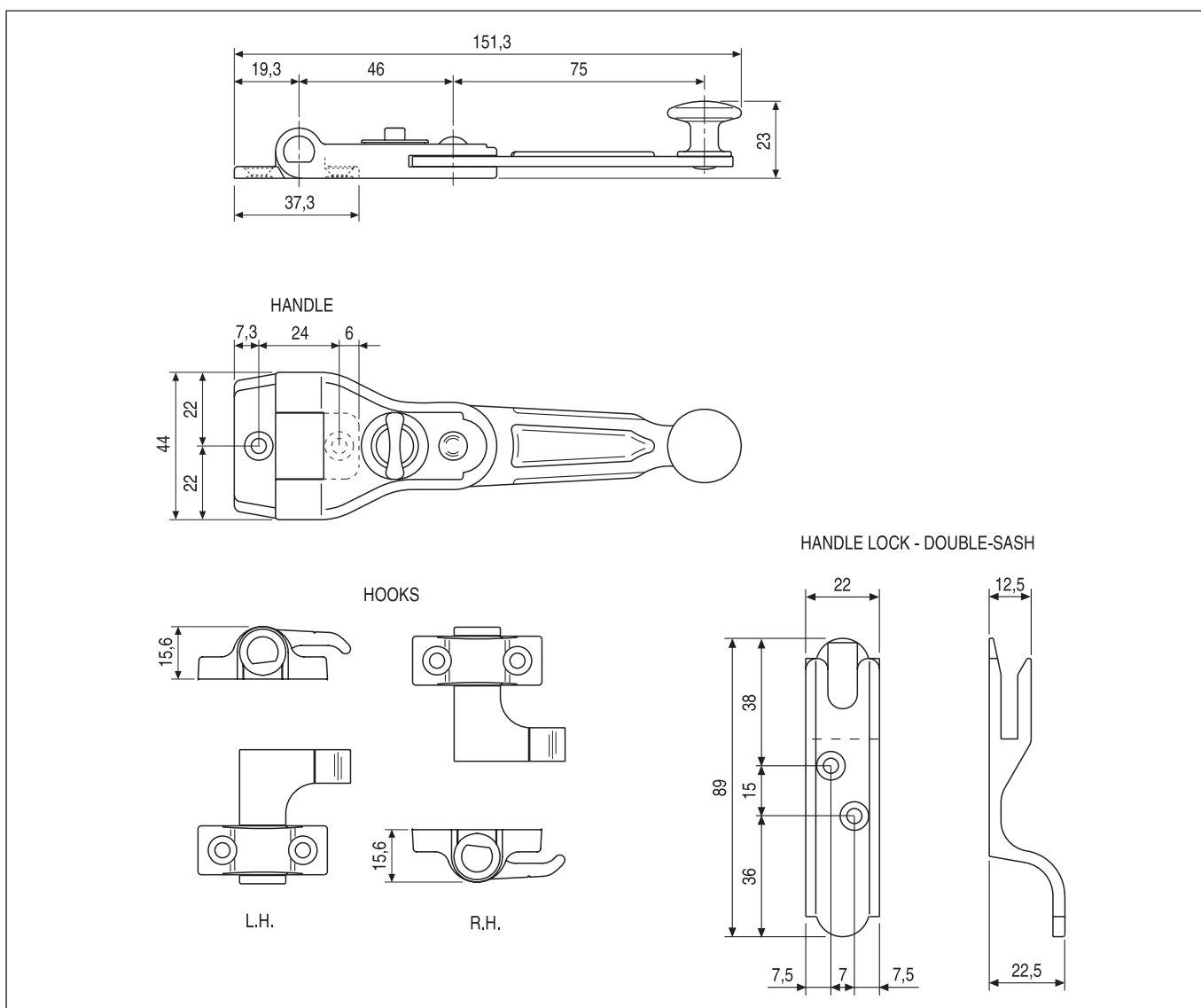
Basic kit featuring espagnolette with 180° rotation and handle lock. Suitable for double-sash shutters.

Components

- 1 espagnolette.
- 1 handle lock for double-sash shutter.
- 1 right-handed closing hook.
- 1 left-handed closing hook.

Mounting

See instructions provided in the accessories specifications sheets.



Order Specifications

Type	Article
UNICA	H00903.08.XX

NB. Refer to the price list in force to check the availability of the finishes.

Drive rod



Description

9 mm diameter steel drive rod with semicircular cross-section to facilitate assembly and increase resistance to torsional stress.

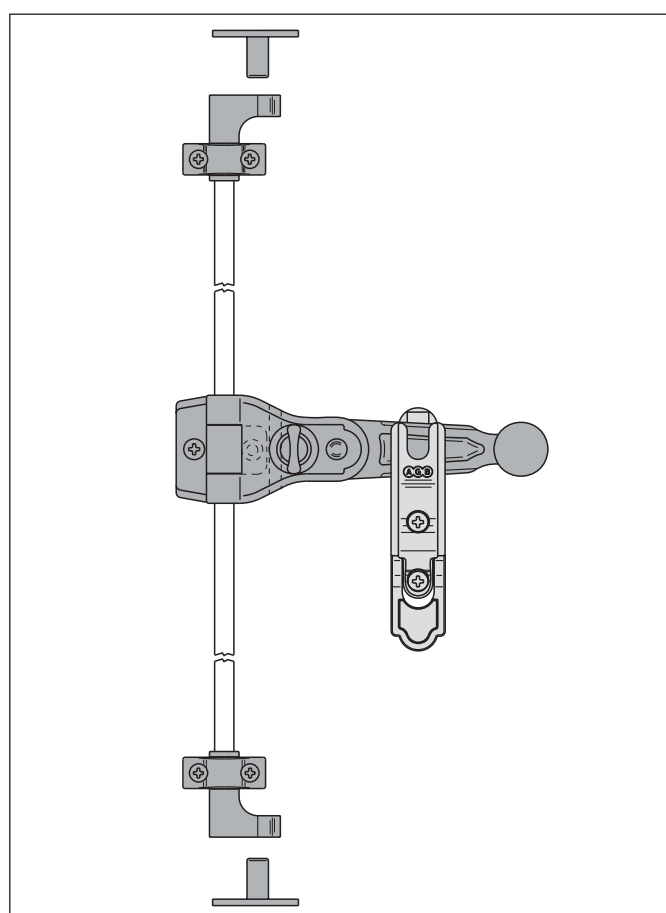
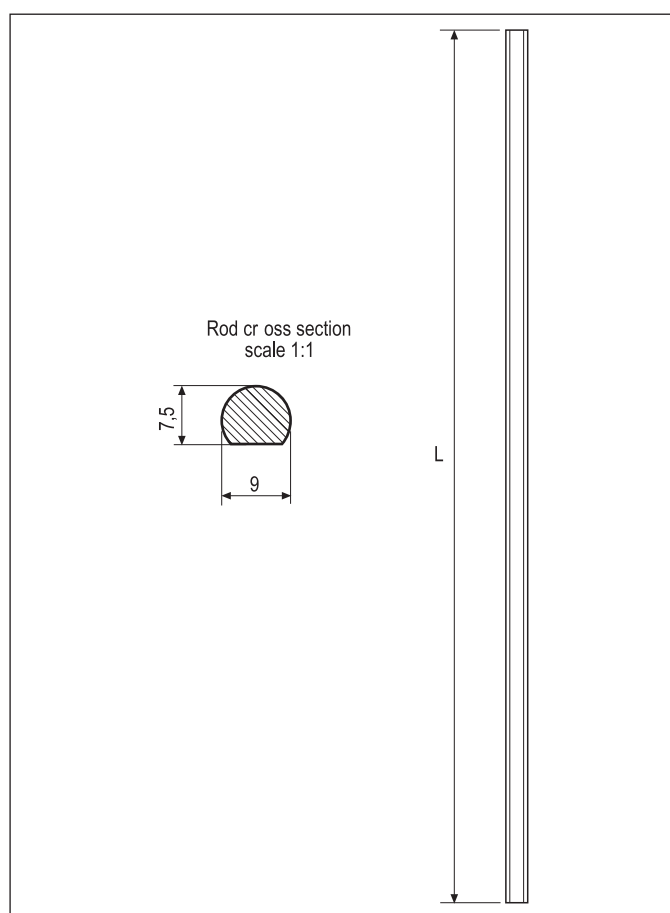
Application

The rod is the same for all ABACO systems, whatever their GR size. The only variable is the rod's length (L), which is calculated with the following formula:

$$L = \text{shutter height} - \text{hook height}$$

- To be used in combination with espagnolettes, straight or bent fastening hooks and vertical bolts.

NB. To avoid excessive bending of the rod, we recommend that you install a rod guide support every 400 mm.



Order Specifications

GR	L (mm)	Article
1	1000	H00900.01.XX
2	1200	H00900.02.XX
3	1400	H00900.03.XX
4	1600	H00900.04.XX
5	1800	H00900.05.XX
6	2000	H00900.06.XX
7	2200	H00900.07.XX
8	2400	H00900.08.XX
9	2600	H00900.09.XX
10	3200	H00900.10.XX

NB. Refer to the price list in force to check the availability of the finishes.