

Wall catch with handle Kit



Description

Automatic wall catch with unhooking handle and striker to be fixed on the wall. Choose the hub according to the shutter thickness.

Application

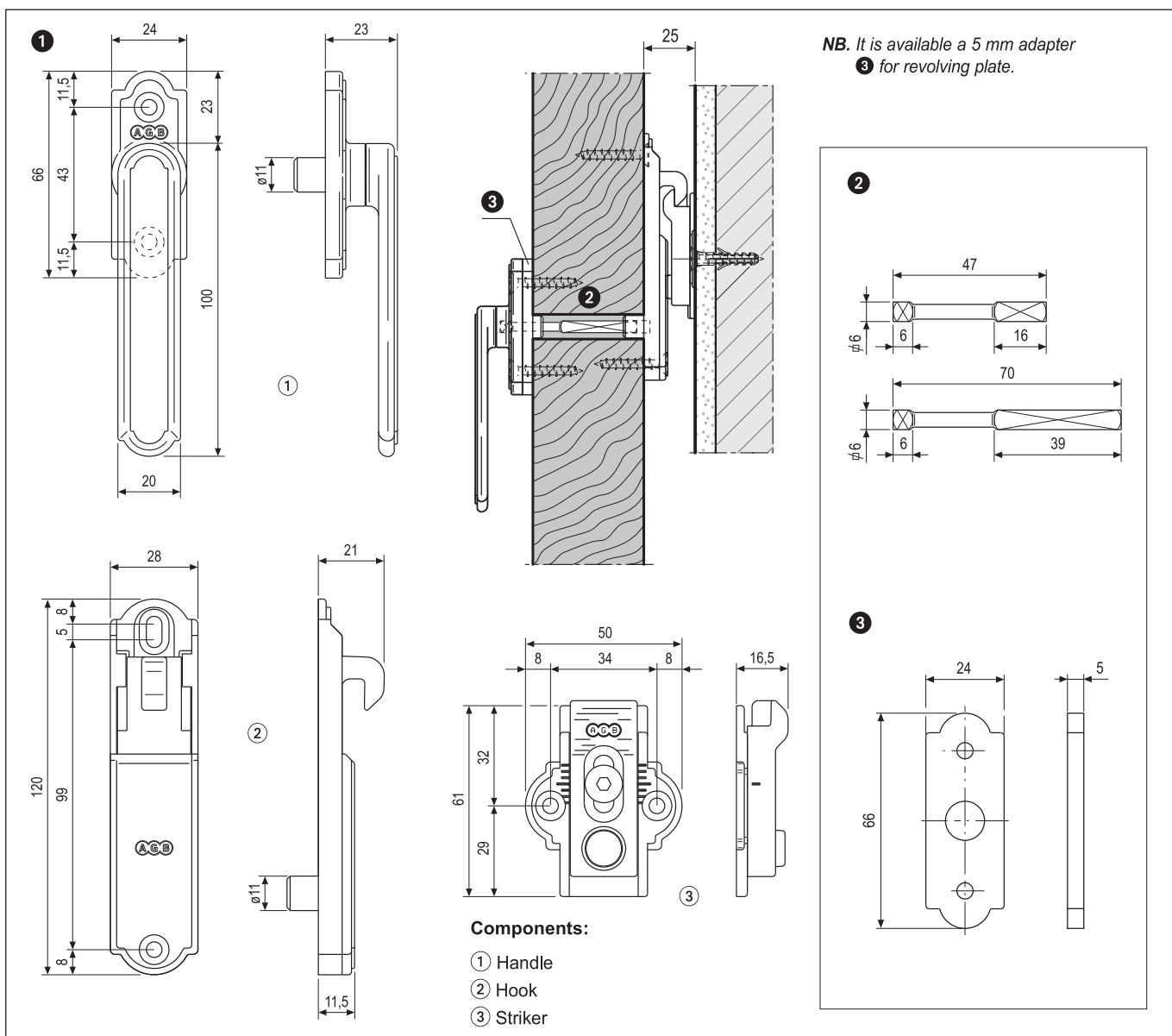
Specially designed for balcony doors with railing without exit. The non handed wall catch can be used horizontally (e.g. with a central transom) or vertically (on staved shutters). The good functioning is guaranteed by the spring for the hook returning.

Mounting

For the good functioning of the wall catch a 25 mm distance between wall and sash is required. When the distance is higher than 25 mm it is necessary to compensate with the proper shim H00926.04.93.

For the correct installation of the Kit, please refer to Mounting instructions art Z90007.11.11 included in the package of the kit and consultable at www.agb.it.

NB. For the correct installation of the Kit, please use the jigs (see Jigs chapter).



Components:

- ① Handle
- ② Hook
- ③ Striker

Order Specifications

Ref.	Descrizione	Article	Length	Sash thickness
①	Wall catch	H01926.00.XX		
②	Hub	H01926.38.00	47	from 22 to 38 mm
		H01926.54.00	70	from 39 to 54 mm
③	5 mm adapter for handle base	H01926.04.XX		

NB. Refer to the price list in force to check the availability of the finishes.