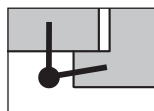


# REVER - reversible hinge for swinging doors

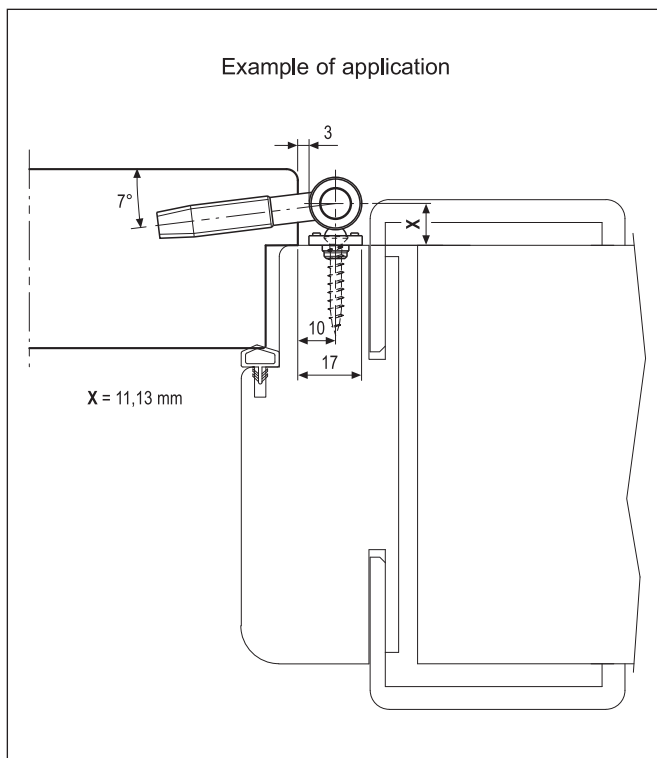
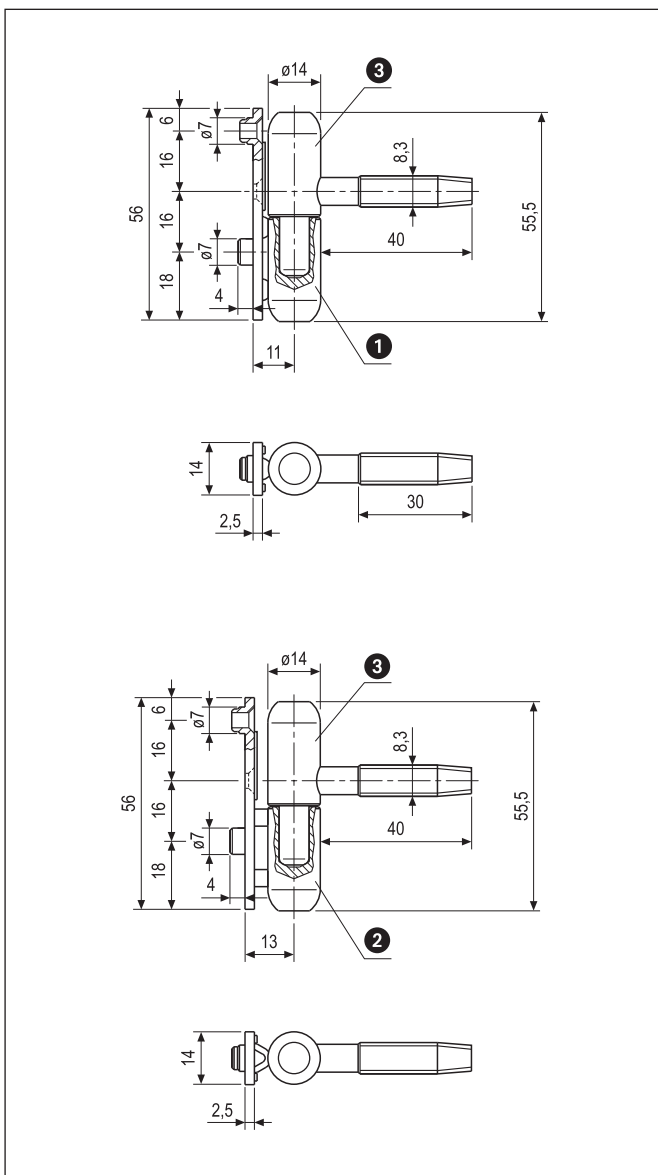


### Description

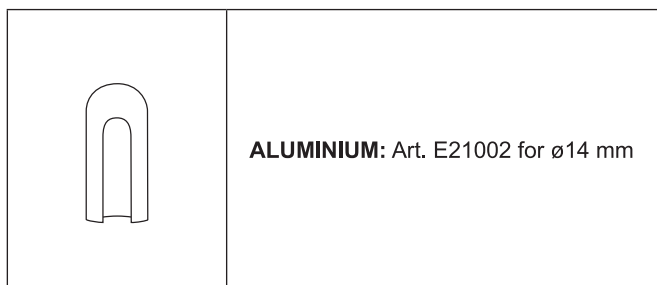
Hinge for reversible wooden swinging doors, with male part mounted on leaf and female part mounted on frame. The bearing capacity of the frame part is ensured by two clamping screws and two pins (7 mm) inserted into the frame. Covers are available for finish customization. The boring of the hinge enables reversibility of the door panel and of the frame.

### Mounting

Perform boring of the leaf with 7.2-mm tip; with the same tip bore two holes on the frame of a depth of 4 mm. Screw the male part to the leaf and clamp the frame part with two 3.5-mm or 4-mm screws of a suitable length for the material.



### Available covers



**NB.** For the dimensions, finish and all the codes, see the "Covers" chapter.

### Order specifications

Material	Ref.	Article	Distance of hinge axis from frame	Description
STEEL	①	E01180.14.15.203	Axis 11 mm	Only female part
	②	E01181.14.15.203	Axis 13 mm	Only female part
	③	E00178.14.15.202		Only male part

**NB.** Refer to the price list in force to check the availability of the finishes.