

TOUCH

simply revolutionary

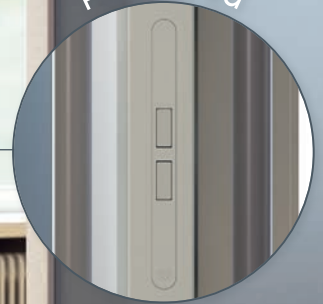


Open, Close, Live

Open the door with the most simple
and natural gesture: a touch!



Patented



TOUCH

Patented contactless magnetic door catcher: the catching force can be adjusted and guaranteed, no matter the distance between sash and frame.



Absolute freedom to choose the handle



Minimal design, no visible screws



Patented adjustable system of catching force

MADE IN ITALY





TOUCH

a natural gesture

Opening the door becomes the most natural gesture

On the push side, Touch allows to open the door by a simple push: a touch!

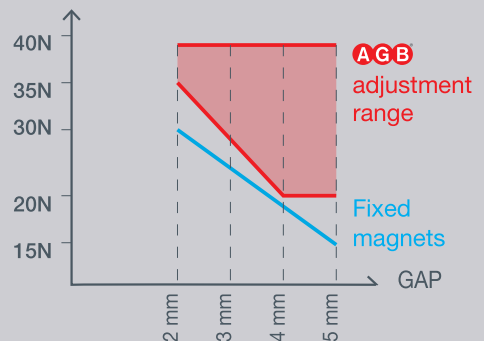
On the other side, just pull with whatever handle.

Force of attraction

The force can be adjusted according to the feeling of each user and it is guaranteed in all the installation conditions.

In systems with fixed magnets, the force decreases without possibility of adjustment by the increase of gap between sash and frame.

CATCHING FORCE



TOUCH

free to choose the handle

A new concept of closure

The door stays in closing position thanks to the magnetic force, contactless. No need for standard latch.



Unleash the designer's creativity!

With Touch, the handle is released from the unlock function: it just helps to push and pull the door. The designer's creativity is free to create new handle shapes and to integrate the handle in the door design.





TOUCH

Touch is the perfect solution for
concealed sashes where the
handle needs to be invisible or
incredibly minimal.

MADE IN ITALY



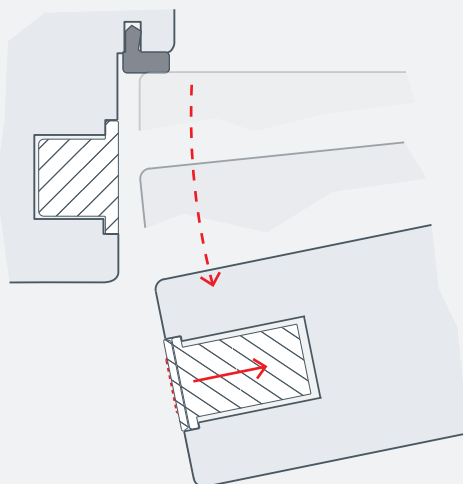
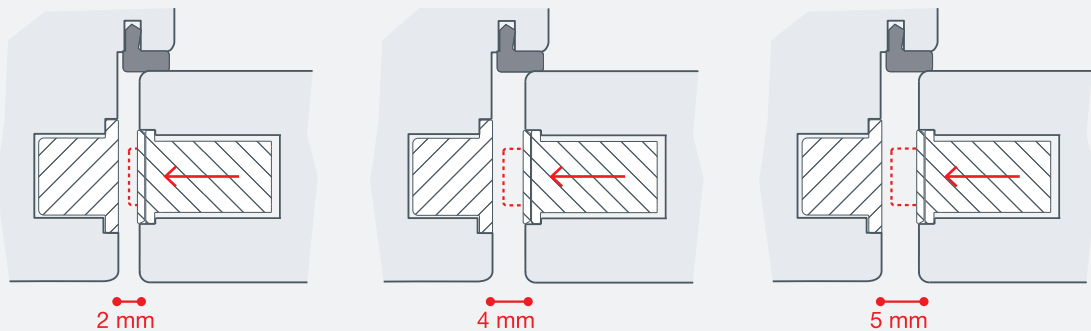
Adjustable system: Touch always ensures the most comfortable catching force!

Thanks to the patented
adjustment system on the sash,
Touch guarantees the closing,
even with variable gap.

[PATENTED]

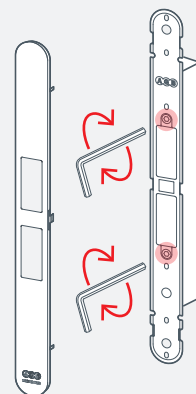
The release of magnets happens only when the sash is aligned to the striker. The magnets throw can be adjusted by using a 2,5 mm allen key.

Note: Touch definitely avoids the adjustment problems of roller latch.



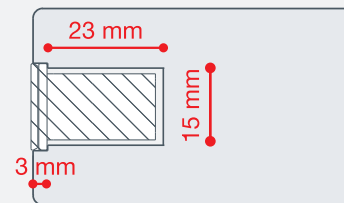
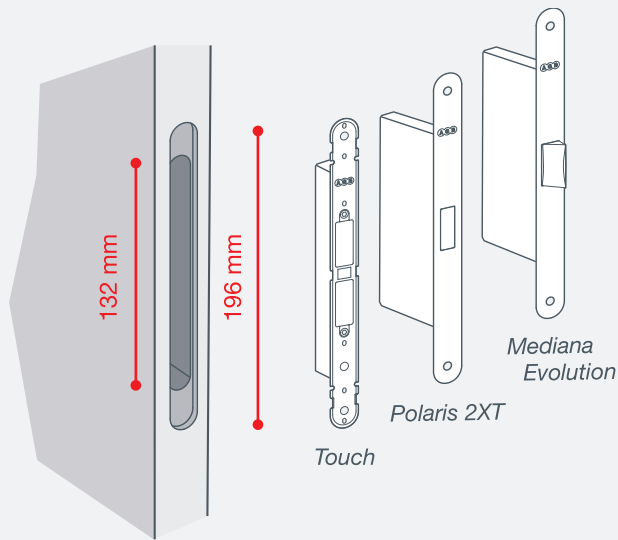
When the door is open, the magnets retract and stay flush with the forend, giving a minimal design to the door and avoiding problems caused by any protrusion.

Removable cover with clip:
it hides the fastening screws
and the adjustments grubs of
magnets.

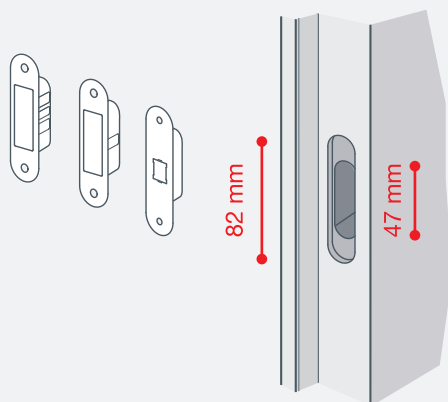


One milling, unlimited solutions!

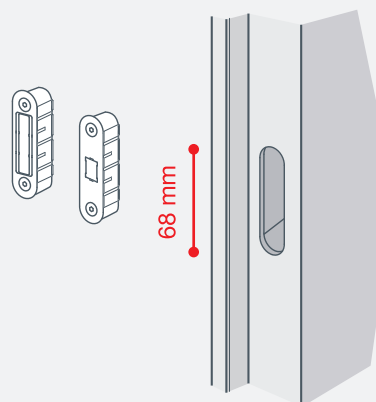
The standard millings allow to choose between Touch and a traditional handle, even when the frame has been already installed or simply replacing the sash.



On dedicated doors, Touch requires a thin milling affecting the jamb of the panel only.



Easy-Touch is interchangeable with Easy-Fix and Easy-Matic with 2,2 mm thickness.



Alu-Touch is interchangeable with Alutop.



TOUCH

Touch is the ideal solution for concealed doors in wooden walls where the designer unleashes creativity and can integrate the handle in the sash design.





Open, Close, Live

Alban Giacomo spa
Via A. De Gasperi, 75
36060 Romano d'Ezzelino (VI) Italy
+39 0424 832 832
www.agb.it - info@agb.it

MADE IN ITALY

