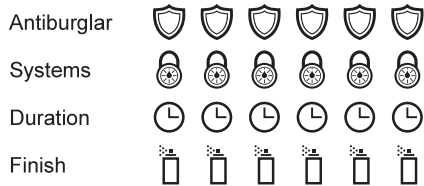


SCUDO DCK

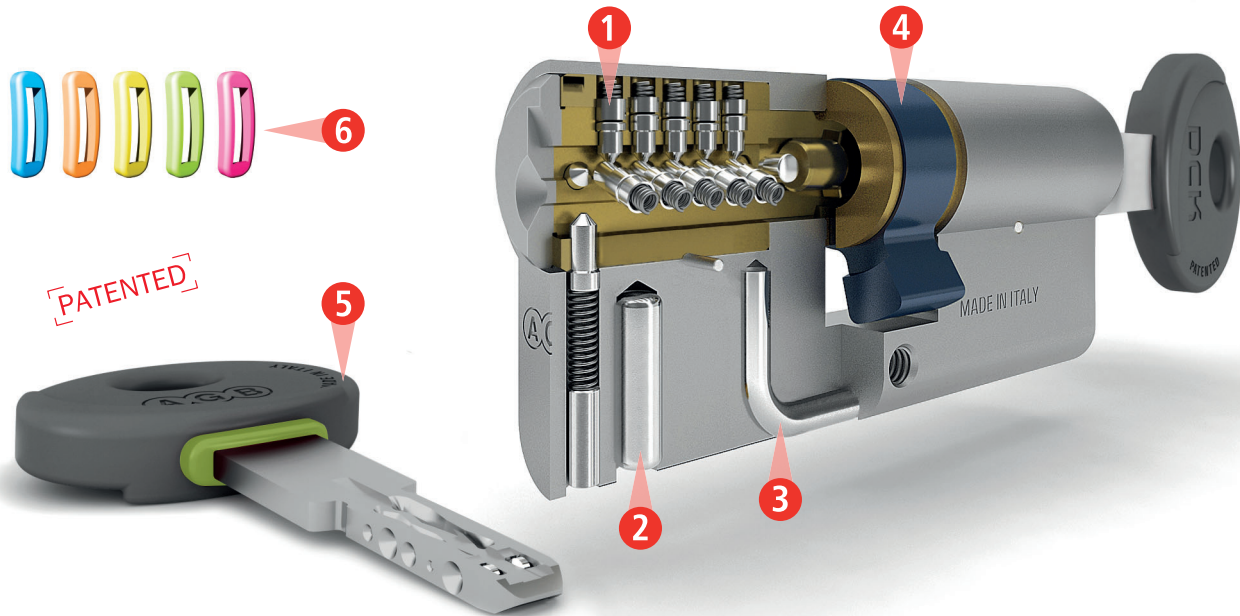
High security cylinder with Duplicated Controlled Key



Cylinder classification - summary table on page 22

UNI EN 1303:2015 - ICIM 0039CS							
1	6	0	B	0	C	6	D

ANTI-PICKING: Pass
ANTI-BUMPING: Level 2



- Duplicated controlled key and protected by a PIN code.
- 15 radial and asymmetric pins in stainless steel and fixed pins to activate the key. ①
- Anti-drill pin in steel. ②
- Antiburglar insert in special steel. ③
- Anti-pull cam in sintered steel. ④
- 5 flat reversible keys. Special ergonomic grip patented by AGB. ⑤
- Customisable key with inserts of different colours (to be ordered separately). ⑥
- The double function is available (2 keys inserted at the same time).
- Suitable for fire and smoke resistant doors.