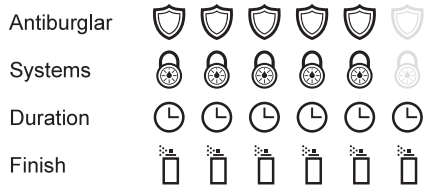


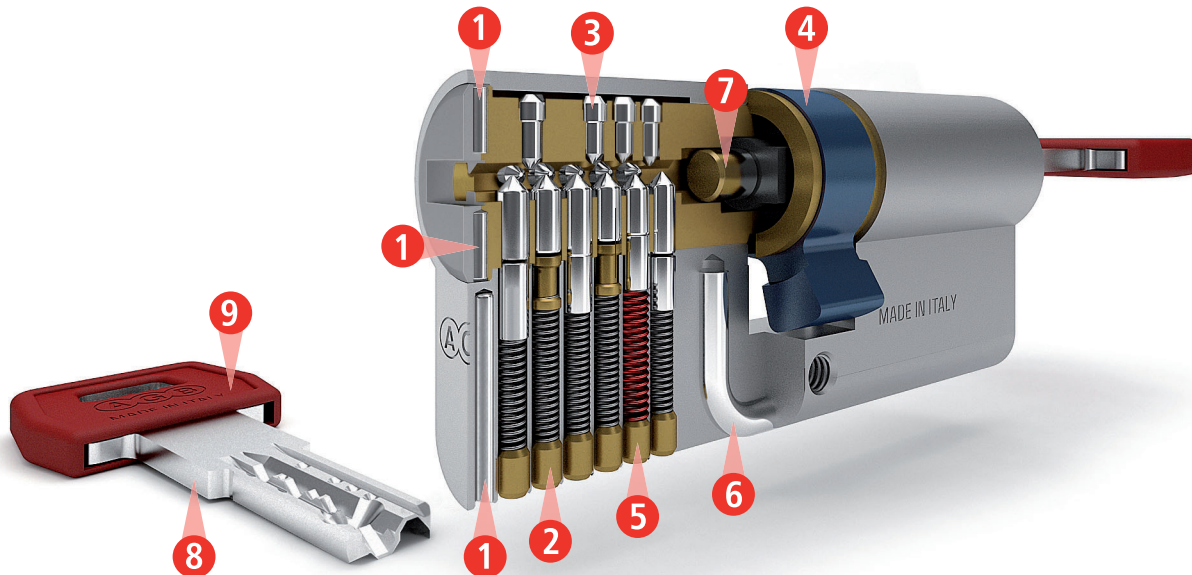
Reinforced security cylinder



Cylinder classification - summary table on page 22

UNI EN 1303:2015 - ICIM 0039CS							
1	6	0	B	0	C	6	D

ANTI-PICKING: Pass
ANTI-BUMPING: Level 2



- 3 anti-drill pins in steel. ①
- 6 active pins ② and 9 passive pins ③ for a wide range of coding.
- Anti-pull cam in sintered steel. ④
- **High resistance to bumping**, certified according with ICIM 0039CS. ⑤
- Reinforced element in stainless steel: it prevents the cylinder extraction in case of break-in attempts. ⑥
- Friction coupling to open the door even when the key is inserted on the other side. ⑦
- 5 flat reversible keys with long neck that is resistant to torsion and protective rim guard. ⑧
- Possibility to personalise the grip with many different coloured covers. ⑨
- Card for the key duplication with double code (key and duplication).
- Suitable for fire and smoke resistant doors.