



SCUDO

Cylinders range



HARDWARE SYSTEMS FOR WINDOWS AND DOORS

Cylinders range

SCUDO DCK

High security cylinder with controlled key duplication

- Key duplication controlled by AGB and protected by PIN code. *
- 5 high resistance nickel silver flat key with micro rollers (AGB patented).
- Available also with double function. *
- Improved hand-grip. ①
- Patented key. ②
- 15 radial and asymmetrical pins and two fixed pins for the differ. ③
- 3 hardened steel anti-drill pins on each side. ④
- Stainless steel U-shaped anti-burglar insert in the cylinder body. ⑤

* 2 keys inserted at the same time



SCUDO 9000

Security cylinder with anti-burglar insert

- 5 high resistance non-handed nickel silver flat keys. ①
- Stainless steel U-shaped anti-drill pins on each side. ②
- 3 hardened steel anti-drill pins. ③
- 17 radial and symmetrical pins for the differ. ④
- Anti-pull cam. ⑤
- Card with duplication code. ⑥



SCUDO 5000

Security within everybody's reach

- 5 non handed high resistance flat keys. ①
- Hardened steel anti-drill pins in each side. ②
- 7 pins for a large number of differ. ③
- Anti-pull cam. ④
- Available also with double function. *
- Card for duplication. ⑤

* 2 keys inserted at the same time



TENAX

New protective rim guard for euro profile cylinders

- One piece stainless steel body.
- Difficult grab with burglar tools thanks to the sloping shape.
- 3 versions: circle, circle with internal escutcheon, oval for thin profiles.
- 5 versions with 10÷18 mm protrusion flush of the door.



C-Liner

Security fitting for cylinders



"PASS" key for building yard



"PASS" key is available on request for cylinders U-TECH, Scudo 5000 and 9000. This key is deactivated when one of the owner's key is used for the first time.

Key covers for **SCUDO 5000** and **SCUDO 9000**

The key can be personalised with a wide range of interchangeable covers, available in different colours.

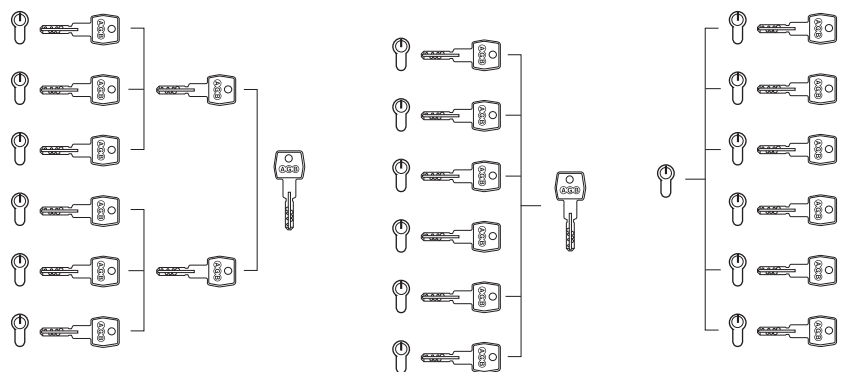


Cylinders range

SCUDO	DCK	9000	5000
key-key	●	●	●
double function key-key	●		●
knob-key	●	●	●
half-key	●	●	●
8x63 tang-key	●	●	●
8x18 tang-key	●	●	●

Key systems

- GMK general master key system
- MK master key system
- CC central cylinder system



Finishes

