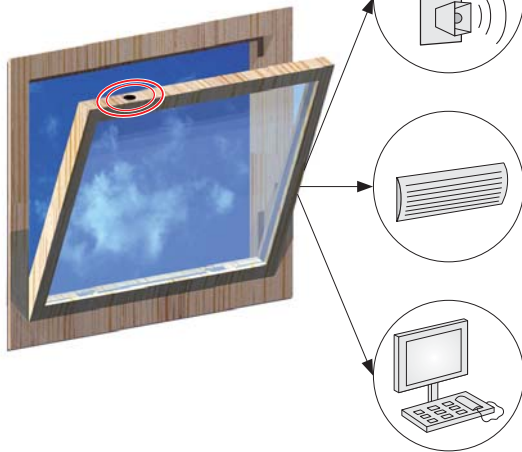


# Magnétique

## Magnetic contacts for alarm and control systems

**Magnétique** is the new AGB solution for control of window and door frames. The range of components enables the production of systems characterised by high precision in functioning and by reliability over time.

### Possible Uses



with **PERIMETER ALARM** systems, with tilt opening enabled or disabled:

- **Top security** version with protection from external magnetic fields and tamperproofing cable.
- **Standard version** with protection against cable cutting.

with **ENERGY SAVING** systems in which the functioning of the climate control system depends on correct closure of window and door frames.

with **CONTROL** systems by means of which closing of numerous window and door frames is controlled, by electronic board.

***NB.** The functions of a magnetic contact can be multiplied by means of relays or electronic cards. A magnetic contact may, for example, be used as an alarm or to block climate control.*

### Cost Efficiency

No additional hardware elements required.  
All you need is a magnet with a screw hole and a sensor.

### Value Added

Magnétique enhances window function. It provides window and door installers with an opportunity to provide an additional service: the electrician need only make the connections (drilling the frame or removing the cover frames not required).

### Easy to Install

Grazie agli schemi di montaggio e alla semplicità del sistema, l'installazione risulta pratica e veloce, senza l'esigenza di particolari competenze tecniche.

### Versatility

Modular architecture, adaptable to all window and door frame typologies; can be combined with AGB anti-burglar hardware. Just a few elements for many applications.

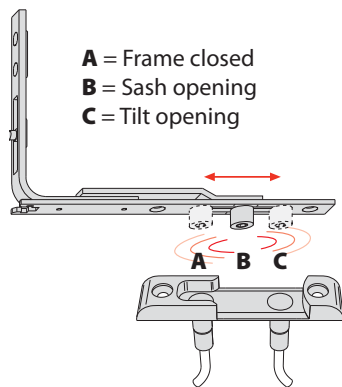


Magnet with screw hole on gap 12

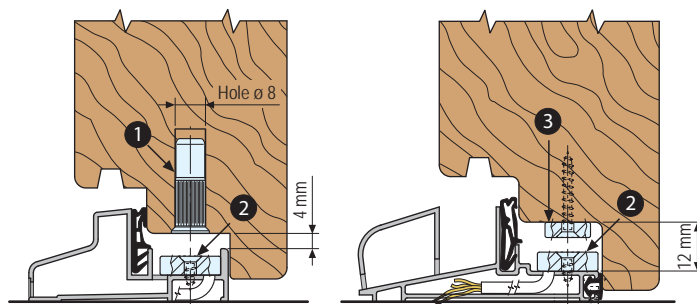


Flat reed on gap 12

# Magnétique - Magnetic contacts for alarm and control systems



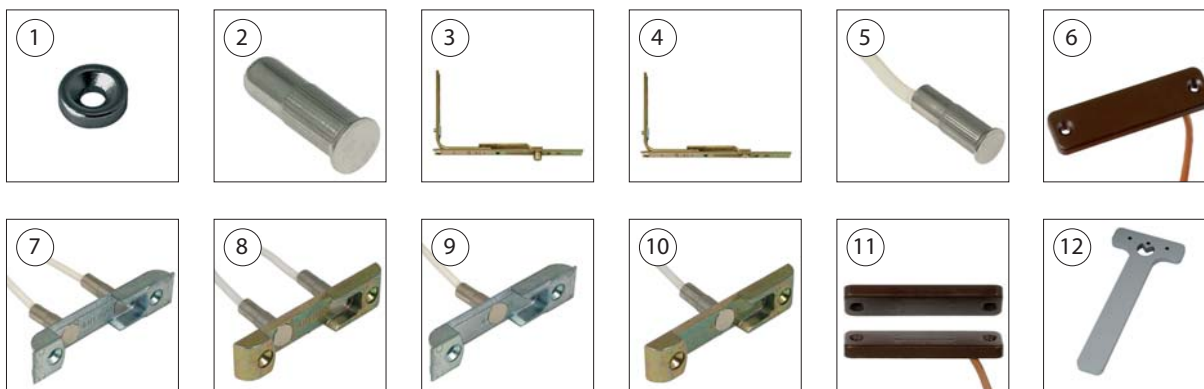
Corner closure with magnetic cam, with double reed at striker, provides a closure point and enables monitoring of window or door frame position: closed, open (sash), open (tilt).



Examples of applications of embedded and surface mounted magnetic contacts for door-windows with aluminium crossbeam.

- ① Embedded magnet
- ② Flat reed
- ③ Magnet with screw hole

## Magnétique Components



	Ref.	Description	Finish	Code	
<b>SASH PART</b>	①	Magnet with $\varnothing 12 \times 4$ mm screw hole	Cataphoresis Black	A39406.10.00	<input type="checkbox"/>
	②	$\varnothing 8 \times 25$ mm embedded magnet	Nickel Plated	A39406.10.01	<input type="checkbox"/>
	③	Corner closure with $10 \times 8$ mm magnetic cam	Bichromated	A35015.00.01	<input type="checkbox"/>
	④	Corner closure with flat magnetic cam	Silver finish	A45015.00.01	<input type="checkbox"/>
<b>FRAME PART</b>	⑤	$\varnothing 8 \times 25$ mm brass reed	Bichromated	A35015.00.02	<input type="checkbox"/>
	⑥	Flat reed on $56 \times 16 \times 5$ plastic container, gap 12	Silver finish	A45015.00.02	<input type="checkbox"/>
	⑥	Flat reed on $56 \times 16 \times 5$ plastic container, gap 12	Nickel Plated	A39406.11.00	<input type="checkbox"/>
	⑥	Flat reed on $56 \times 16 \times 5$ plastic container, gap 12	White RAL 9010	A39406.12.91 (cable:3 metres)	<input type="checkbox"/>
	⑥	Flat reed on $56 \times 16 \times 5$ plastic container, gap 12	Brown	A39406.12.94 (cable:3 metres)	<input type="checkbox"/>
	⑥	Flat reed on $56 \times 16 \times 5$ plastic container, gap 12	White RAL 9010	A39406.15.91 (cable:10 metres)	<input type="checkbox"/>
	⑥	Flat reed on $56 \times 16 \times 5$ plastic container, gap 12	Brown	A39406.15.94 (cable:10 metres)	<input type="checkbox"/>
	⑥	Flat reed on $56 \times 16 \times 5$ plastic container, gap 12	White RAL 9010	A39406.17.91 (cable:3 metres)	<input type="checkbox"/>
	⑥	Flat reed on $56 \times 16 \times 5$ plastic container, gap 12	Brown	A39406.17.94 (cable:3 metres)	<input type="checkbox"/>
	⑦	Striker with double reed, gap 4	Bichromated	A38010.01.45	<input type="checkbox"/>
⑧	Striker with double reed, gap 12	Silver finish	A48010.01.45	<input type="checkbox"/>	
⑧	Striker with double reed, gap 12	Bichromated	A38010.06.45	<input type="checkbox"/>	
⑧	Striker with double reed, gap 12	Silver finish	A48010.06.45	<input type="checkbox"/>	
⑨	Cam striker with single reed, gap 4	Bichromated	A38010.01.46	<input type="checkbox"/>	
⑨	Cam striker with single reed, gap 4	Silver finish	A48010.01.46	<input type="checkbox"/>	
⑩	Cam striker with single reed, gap 12	Bichromated	A38010.06.46	<input type="checkbox"/>	
⑩	Cam striker with single reed, gap 12	Silver finish	A48010.06.46	<input type="checkbox"/>	
<b>SASH + FRAME</b>	⑪	$56 \times 16 \times 5$ antisabotage magnetic contact, gap 12	White RAL 9010	A39406.14.91	<input type="checkbox"/>
	⑪	$56 \times 16 \times 5$ antisabotage magnetic contact, gap 12	Brown	A39406.14.94	<input type="checkbox"/>
	⑫	Double reed strikers drilling jig	Nickel Plated	A39312.00.00	<input type="checkbox"/>