

# Locking profiles AS Classic 150 - 300

## LOCKING PROFILE FOR SIDE POINT SYSTEM



It increases significantly the **level of safety** of the window by using burglar-proof pins in tempered steel.

The profiles are available with the finishes **silver AF1** and **electrocolour AF5**.

The continuity of aluminium (rail + locking profile + guide) provides a nice aesthetic aspect.

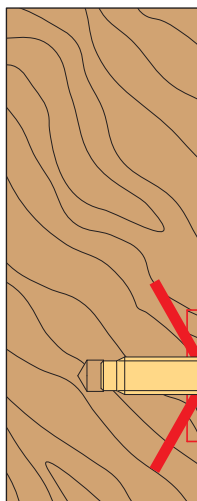
**Perfect insulation** in the end zones thanks to lower sealing caps.

## LOCKING PROFILE FOR COAXIAL SASHES



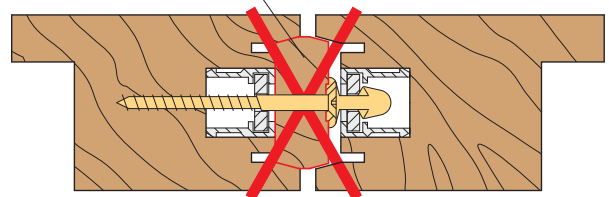
Extensions with locking pins for coaxial sashes are available

## YOU NO LONGER NEED WOODEN LISTEL!



Side point system

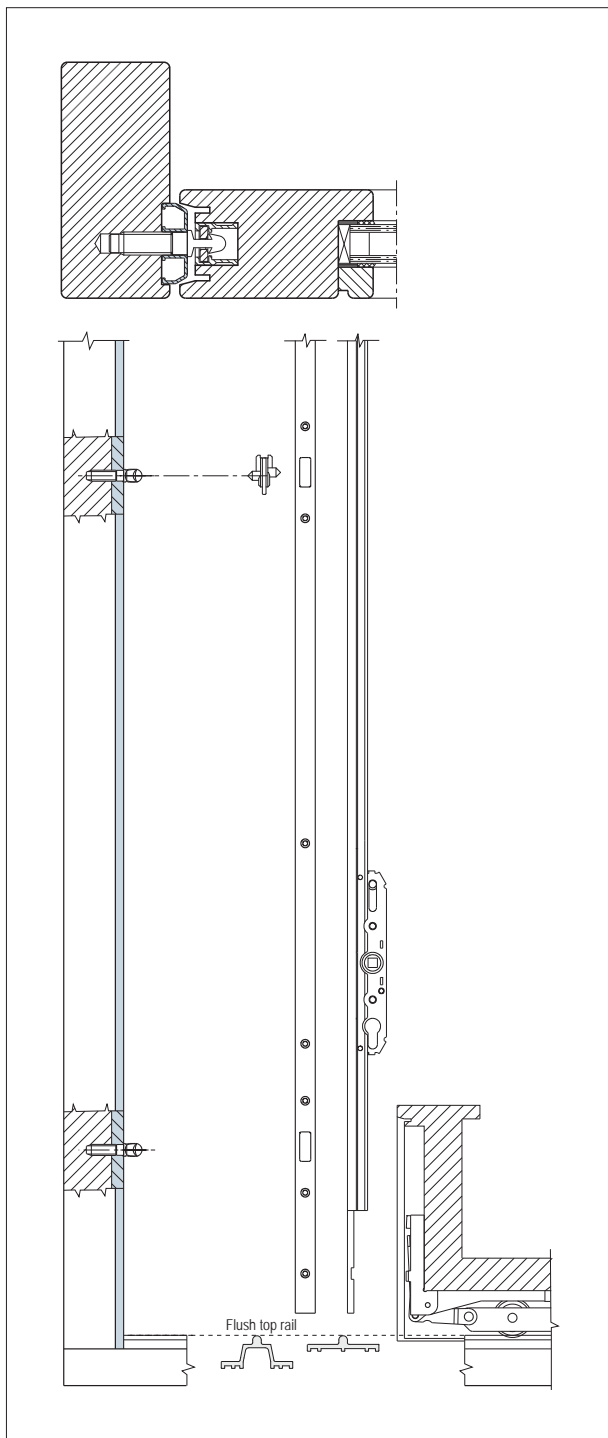
It makes it possible for the window maker to reduce manufacturing times considerably since it avoids making the wooden listel and the subsequent application of the closing pins.



Central point system with symmetrical milling

# Locking profiles AS Classic 150 - 300

## LOCKING PROFILE FOR SIDE POINT SYSTEM



## CLOSING PROFILE FOR COAXIAL SASHES WITH SEALING CAPS

