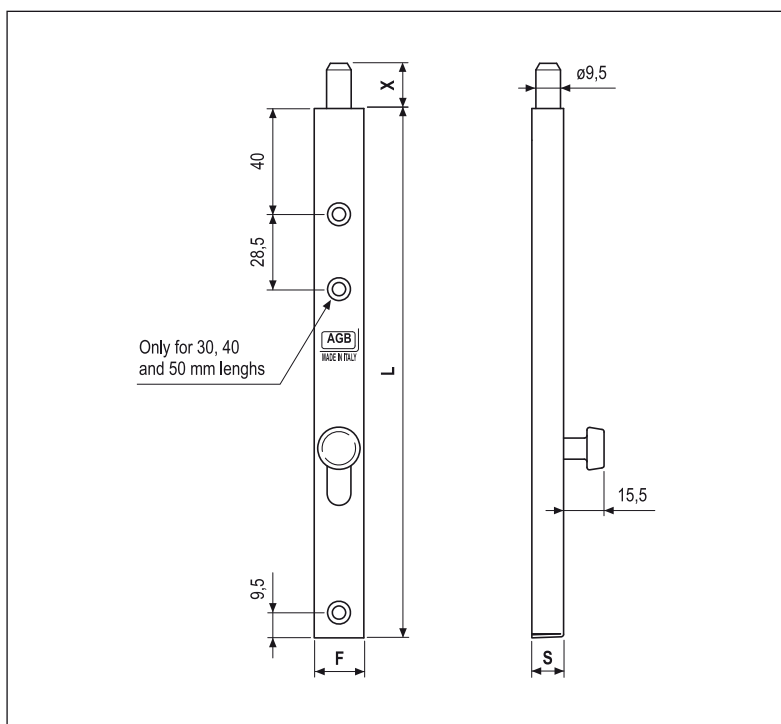


Vertical type - with round push rod, fastened with screws



Bolt measurements

VERTICAL BOLTS				
ARTICLE	F	L	S	X
D00338.20.XX	18,5	200	12	17
D00338.30.XX	18,5	300	12	17
D00338.40.XX	18,5	400	12	17
D00338.50.XX	18,5	500	12	17

Order specifications

Material	Article
STEEL	D00338.20.XX
	D00338.30.XX
	D00338.40.XX
	D00338.50.XX

NB. Refer to the price list in force to check the availability of the finishes.