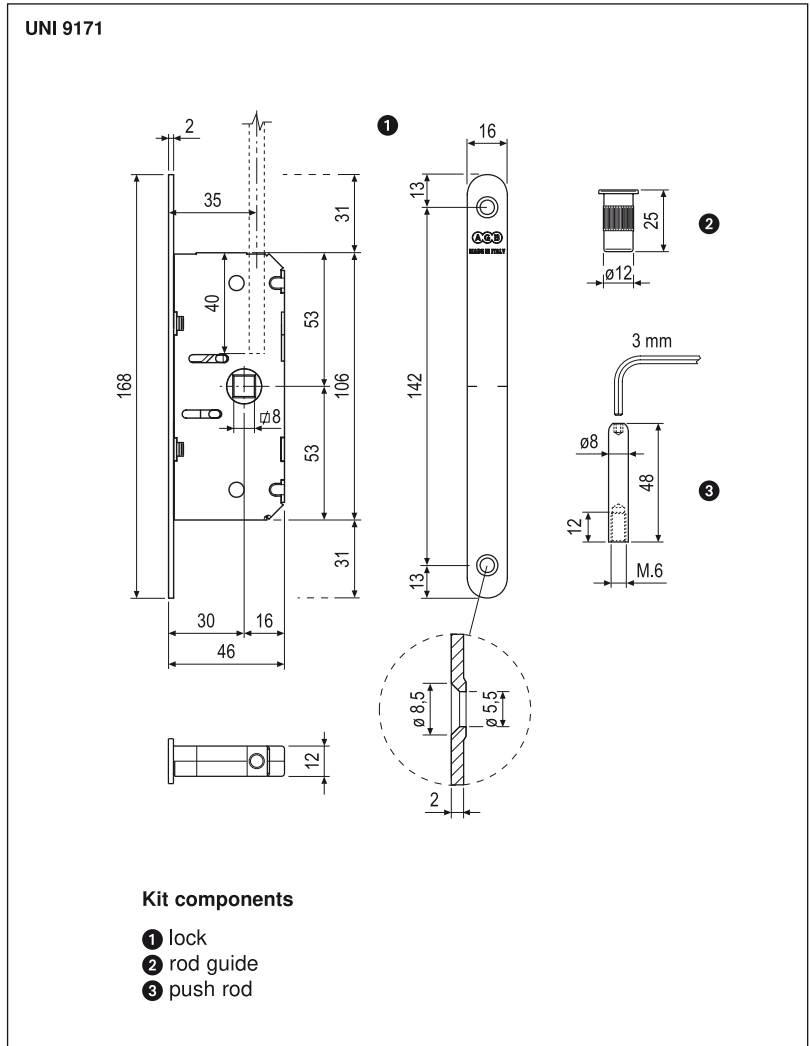


# DUETTO - Lock kit 30 mm backset, rod guide, push rod kit



**Description**

Embedded lock for symmetrical folding doors, supplied along with push rod and rod guide. The 16x168 mm forend is made of steel. Backset of 30 mm with a 8 mm hub positioned on the centre of the lock. The lock executes a complete closing travel of 30 mm with a 180° hub rotation in order to guarantee that the ring handle is always vertically-oriented, therefore avoiding the damage of the door.

**Application**

The lock operates a push rod which closes on the upper frame rail, normally inside the upper guide profile. The M6 threaded bar is not supplied along with the lock kit and is sold separately. According to the requirements it is possible to define the throw of the push rod by trimming the threaded bar, as shown in the chart

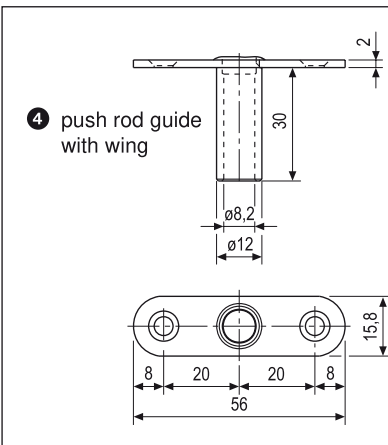
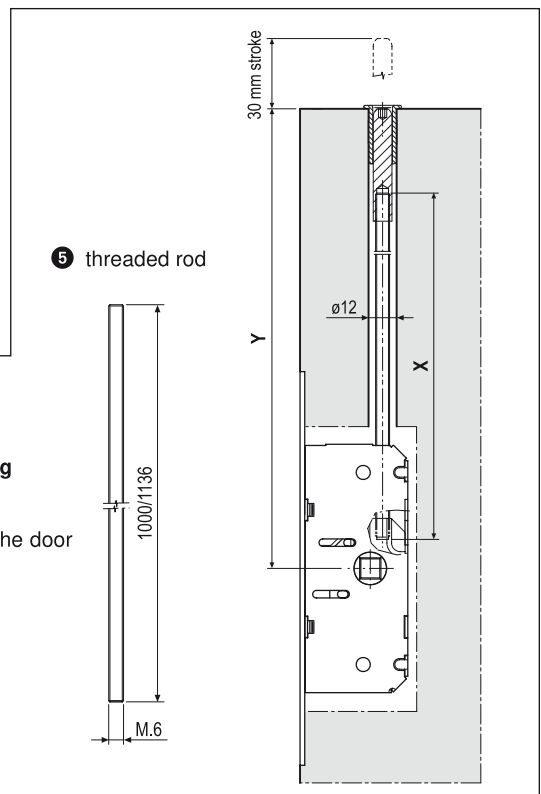
**Mounting**

Prepare cutout and mill the panel according to the dimensions shown in the diagram. Fasten the lock with two 4x20 mm screws.

**Order Specification**

Material	Article	Description
STEEL	① ② ③ B01693.30.XX	E30 lock kit
	③ B00796.01.05	Push rod only
	④ B00796.02.05	Push rod guide with wing
	⑤ B00795.00.05	M6 threaded rod L1000
	B00795.01.05	M6 threaded rod L1136

**NB.** Refer to the price list in force to check the availability of the finishes.



**Calculation of the threaded rod trimming**

X = threaded rod length  
 Y = distance between centre and flush of the door

**X= Y-50** (for 30 mm push rod throw)

**X= Y-60** (for 20 mm push rod throw)