



IQ+ 3D ADJUSTABLE HINGE INFORMATION BROCHURE



AND OTHER RAL COLORS

RAL 9016
RAL 8003
RAL 8017
RAL 8019
RAL 8022
RAL 9001
RAL 9006



Universal 3D Adjustable Door Hinge

Hinge Quality Class: 14
Can be used left and right
Bearing point maintenance free
Solid drilling jigs available for easy installation
High abrasion and UV resistance

TECHNOLOGY

Fastening
Assembly can be made directly to frame and sash
Special fastening screws included in the packing

VERSIONS

Overlap size: (16 - 19 mm) (19 - 22 mm) (22 - 25 mm)

LOAD CAPACITY

Depending on the profile system up to max. 160 kg

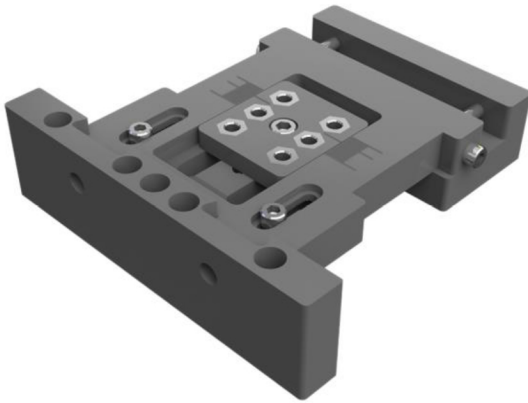
ADJUSTABILITY

Adjustable in 5 directions without removing the door.
Horizontal side adjustment : - 5mm, +10mm
Vertical height adjustment : + 3mm
Sealing pressure adjustment : - 1,5mm, + 1,5mm

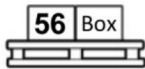
QUALITY

10 years UV resistant Polyester powder coating guaranty
5 year product guaranty
Improved corrosion resistance of zinc coating
All pins and shaft made from quality Inox

DRILLING JIG
For IQ+ 3D Adjustable Door Hinges



 **18**
Pcs in one box

 **56** Box
In one pallet

İKİTELLİ ORGANİZE SANAYİ BÖLGESİ
FATİH SANAYİ SİTESİ 4B BLOK NO : 1-2
34490 BAŞAKŞEHİR / İSTANBUL

TEL : +90 (212) 485 63 96
TEL : +90 (212) 485 55 06
FAX : +90 (212) 485 96 89

WEB : WWW.PLANET-PVC.COM
E-MAIL : INFO@PLANET-PVC.COM

