

TENAX Round Shape with internal cover plate



Characteristics

- TENAX: One-piece protective rim guard for cylinders, round shape version.
- One-piece hardened stainless steel body AISI 420 with a strength over 55 HRC.
- Difficult grab with burglary tools thanks to the sloping shape.
- Anti-scratch surface and high resistance against corrosion (over 1000 hours in salt spray test) (SS DIN 50021; 5% salt; 35°C).
- 4 different sizes (GR) with available thicknesses from 10 to 18 mm.
- Glided PVD and satin chromium plated finishes.
- M5 through screws made of hardened steel with $\varnothing 4$ mm hexagonal head.

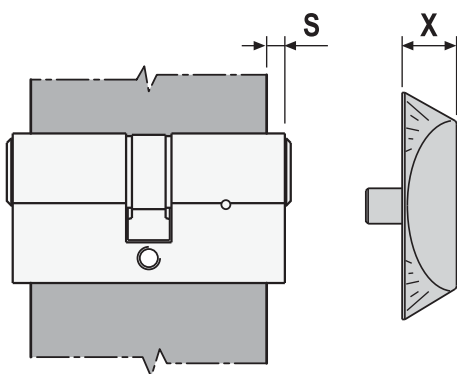
Order specifications

Article	THICKNESS	PROTRUSION	GR
	X	S	
C94850.10.XX	10	4	1
C94850.12.XX	12	6	2
C94850.14.XX	14	8	3
C94850.16.XX	16	10	4
C94850.18.XX	18	12	5

X = TENAX thickness flush to the door

S = cylinder projection flush to the door

Note. Refer to the price list in force to check the availability of the finishes.



GR	X mm	S mm
1	10	0÷4
2	12	0÷6
3	14	2÷8
4	16	4÷10
5	18	6÷12

