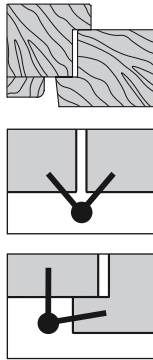


## TOP

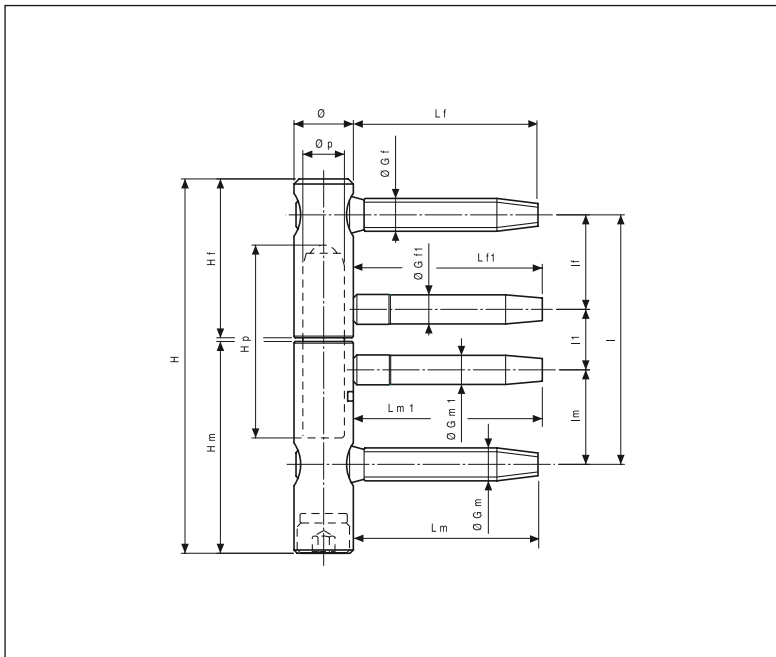


## Description

Adjustable hinge, 16 and 20 mm diameter.  
The pivot on the male body is made of stainless steel to ensure smooth, rustproof operation. A revolving steel ball at the end of the pivot ensures smooth rotation.

**Adjustments:** three-dimensional adjustment possible (horizontal, vertical and depth) using a single 5-mm Allen wrench.

- ❶ Horizontal adjustment: made by adjusting the threaded pin on the upper body (to hold the sash perfectly plumb).
- ❷ Depth adjustment: made by adjusting the threaded pin on the lower body (to apply the proper pressure to the gasket).
- ❸ Vertical adjustment: 6 mm, through the special screw located at the base of the hinge body.



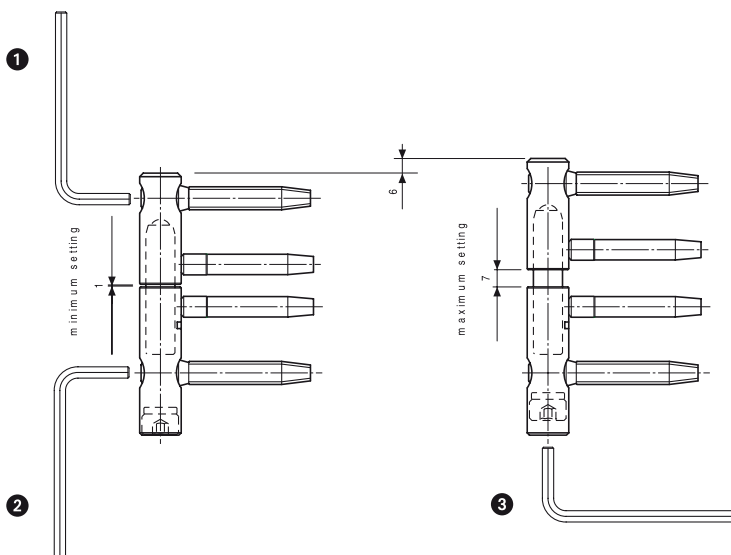
## Hinge measurements

Dimension	Diameter (Ø)	
	16	20
H	99	111
l	66	78
Hm	56	62
Hf	42	48
Øp	11	14
Hp	51	59
ØGm	8,8	9,3
Lm	49	54
ØGf	8,8	9,3
Lf	49	54
l <sub>m</sub> / l <sub>f</sub>	25	30
l <sub>1</sub>	16	18
ØGm1 / Gf1	7,7	8,2
Lm1 / Lf1	50	55

## Order specifications

Material	Article
STEEL	E00150.16.XX
	E00150.20.XX

**NB.** Refer to the price list in force to check the availability of the finishes.



## Available covers

	<b>ABS:</b> Art. E00151 for ø16-20 mm
--	--

**NB.** For complete dimensions and codes, see the "Covers" chapter.

## INSTALLATION TOOLS ("Jigs" chapter)

## Installation on rebated frame

- Guide tool box article code E00112.XX.04
- Guide tool kit article code E00125.XX.04
- Single jig article code E00139.XX.04
- Jig rod for windows article code E00136.00.09/02 (r.h./l.h.)
- Jig rod for door-windows article code E00136.00.13/06/21 (r.h./l.h./r.h)

## Installation on flush frame

- Guide tool box article code E00115.XX.04
- Guide tool kit article code E00165.XX.04
- Single jig article code E00133.XX.04
- Jig rod for windows article code E00136.00.11/04 (r.h./l.h.)
- Jig rod for door windows article code E00136.00.15/08/23 (r.h./l.h./r.h)