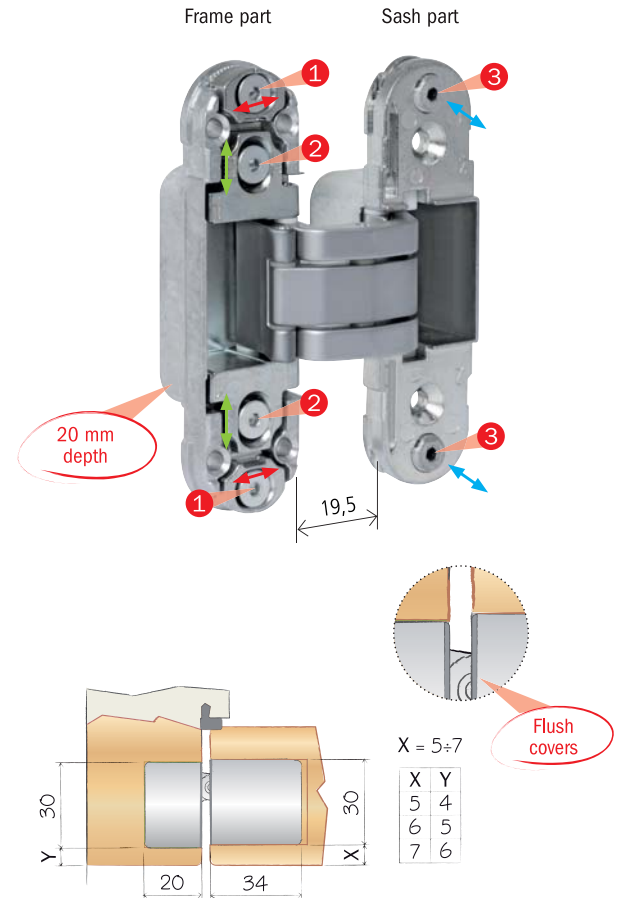


# ECLIPSE 2.0

Hinge for flush doors



for wooden  
doors



- The covers hide the screws and preserve the door design even when the sash is open.
- Flush covers in plastic material.

- Three adjustments completely independent using a unique 3 mm Allen key:
  - pressure adjustment  $\pm 1$  mm ①;
  - vertical adjustment  $\pm 2$  mm ②;
  - horizontal adjustment  $\pm 1,5$  mm ③.